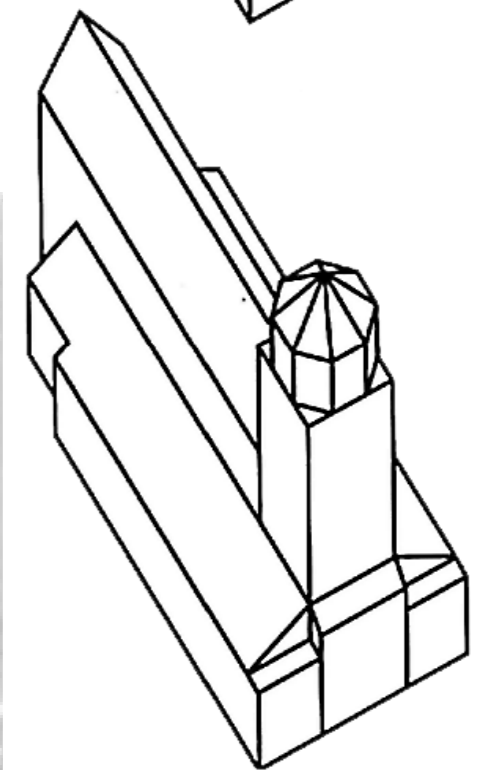
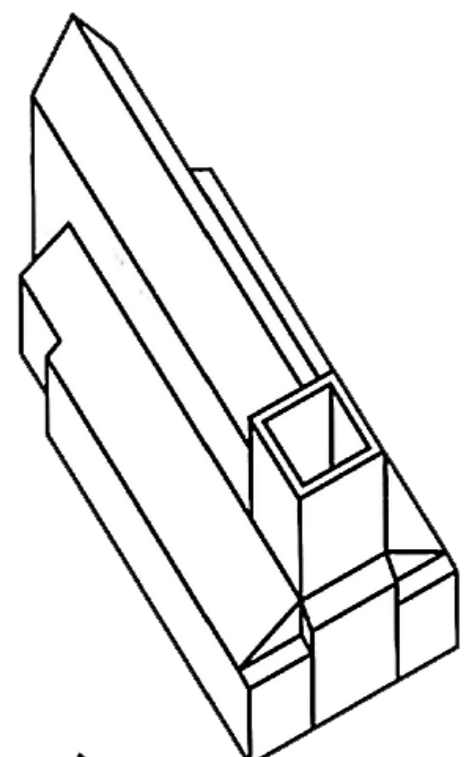
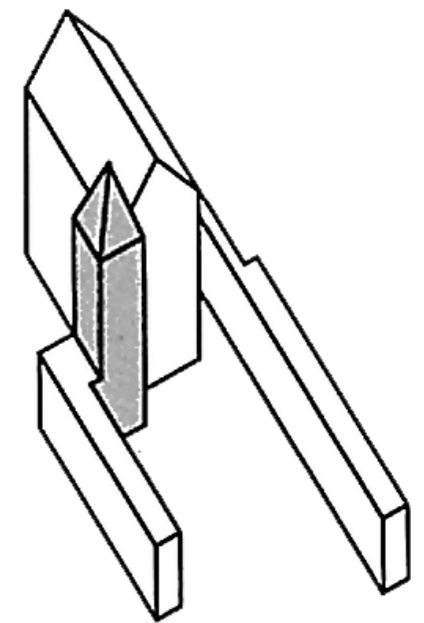
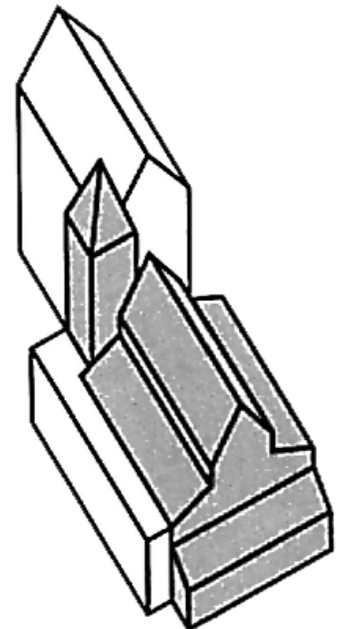
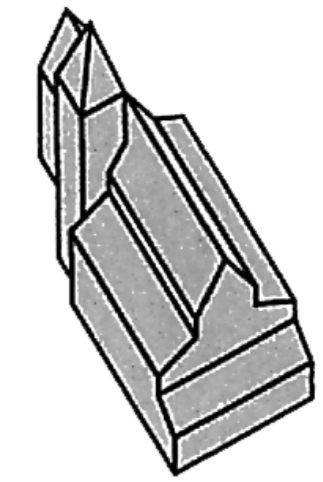


HISTORY, MASTER MASONS AND CONSTRUCTION STAGES

History	Master masons	1	Construction stages
1339 1405 1415 1418	Battle of Laupen Fire of Berne Conquest of Aargovia Rudolf Hofmeister elected mayor (until 1446)		1224 First documentary mention of the Parish Church
1418	Pope Martin V visited Berne		1406-1417 Reconstruction of the Town Hall
			1420 The Cantonal Parliament decided to build the Cathedral
	1420-1446 Matthäus Ensinger	2	11.3.1421 Laying of the foundation stone 1421-1435/50 Chapels and porches on the north side 1426-1430 Demolition of the old Teutonic Order building on the west side, and other buildings
1436-1450	Old Zurich Wars		1430-1441/45 Altar 1430-1454 South wall of the choir 1439-1455 Choir windows
	1446-1448 Vinzenz Ensinger	3	1449-1451 Demolition of the nave of the old Parish Church
1460	Erhart Küng in the Cantonal Parliament		1451-1470/ Nave (piers and arcades)
	1453-1469 1459 Stefan Hurder Stone Masons Congress in Regensburg: Federal Bernese Oberbauhütte Matthäus Ensinger' last sojourn in Bern		1475 Aisle vaulting 1455/1460 Construction of the west section began c. 1460 Construction of the main door began
1475-1477 from 1476 1484	Burgundian Wars Various indulgences Foundation of the Collegiate Chapter		1465/1470-75 Sacristy 1473 Renovation of the south door to the Lombach Chapel
	1469-1481 1481 Niklaus Birenovgt Birenovgt moved to Burgdorf		1481/1483 Construction of the lower tower rectangle began
1481-1483	Mauritz Ensinger (II)		
1499 1499-1525	Swabian War Milan Campaigns	4	c. 1485 Completion of the main door 1489 Completion of the lower tower rectangle, re-hanging of the bells 1493 Demolition of the tower of the old Parish Church
			c. 1485-1500 Eastern area of the north aisle, north wall choir
			c. 1495-1500 Upper walls of the choir and aisle
1510 1513 1515 1522	Niklaus Manuel in the Cantonal Parliament Novara Marignano Biccorea		1506/1507-18 Upper tower vault ("Heavenly Court") 1515 St. Vincent hangings 1518-1521 Lower tower octagon 1522-1525 Choir stalls 1525 Baptismal font
1528 1536	Reformation Conquest of Vaud		
	1520-1540 1540-1543 1543-1546 1546-1555 1571-1596	Peter Kleinmann Pauli Pfister Peter Kleinmann Pauli Pfister Daniel Heintz (I)	5
			1571 Decision taken on further construction 1571/1575 Vaulting of the nave, tower porch, northern west porch 1574 (Second) stone choir screen
			1588 Tower octagon vaults
	1727-1735 1735-1770	Niklaus Schildknecht Johann Jakob Jenner Beat Rudolf v. Sinner	1727 First organ screen 1749 Second organ screen 1845-1848 Third organ screen 1864 Demolition of the choir screen
		August Beyer August Müller	1881 Foundation of the Münsterbauverein (Cathedral Construction Association)
			1889-1893 Upper tower octagon/ spire



Source: Machs na, Ein Führer zum Berner Münster, Christoph Schläppi, Bernhard Schlup, Bern 1993

Further information: Gesamtkirchgemeinde Bern / Münsterkirchgemeinde /
Berne Münster-Stiftung
Information stand Gerbern Chapel Tel. 031 312 04 62